



PRODUCT FAMILY DATASHEET

LEDVANCE SURFACE CIRCULAR LED

LED wall and ceiling luminaires



AREAS OF APPLICATION

- Corridors
- Stairways
- Bathrooms
- Foyers

PRODUCT BENEFITS

- High luminous efficacy
- Energy savings of up to 55 % compared to conventional luminaires
- Easy and quick installation
- Very homogenous light
- LED protected for safe installation
- 3 years guarantee

PRODUCT FEATURES

- Beam angle: 120°
- Type of protection: IP44
- Impact resistance: IK03
- Metal housing, PMMA cover
- Ambient temperature in operation: -20...+40 °C
- Lifetime (L70/B50): up to 30,000 h (at 25 °C)



- Certificates: CE, CB, TUEV SUED
- Versions with movement and daylight sensor available (microwave sensor)

TECHNICAL DATA

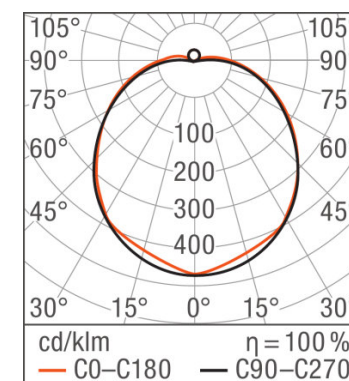
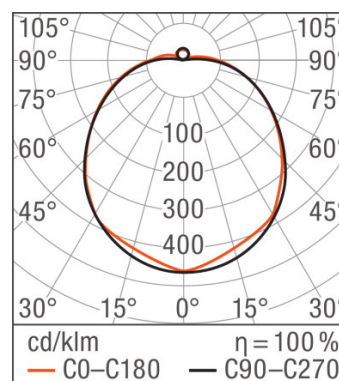
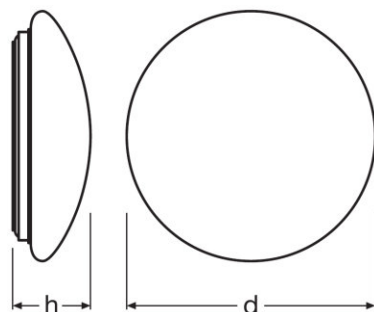
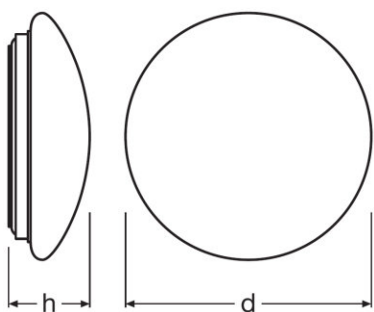
Product description	Electrical data					Photometrical data				
	Operating mode	Nominal wattage	Nominal voltage	Mains frequency	Power factor λ	Color temperature	Luminous flux	Light color (designation)	Color rendering index Ra	Standard deviation of color matchi [PIM]
WALL AND CEILING LED 18 W 3000 K IP44	Electronic control gear (ECG)	18.00 W	220...240 V	50/60 Hz	>0.5	3000 K	1440 lm	Warm White	>80	≤5 sdc
WALL AND CEILING LED 18 W 4000 K IP44	Electronic control gear (ECG)	18.00 W	220...240 V	50/60 Hz	>0.5	4000 K	1440 lm	Cool White	>80	≤5 sdc
WALL AND CEILING LED 24 W 3000 K IP44	Electronic control gear (ECG)	24.00 W	220...240 V	50/60 Hz	>0.5	3000 K	1920 lm	Warm White	>80	≤5 sdc
WALL AND CEILING LED 24 W 3000 K IP44 SENSOR	Electronic control gear (ECG)	24.00 W	220...240 V	50/60 Hz	>0.5	3000 K	1920 lm	Warm White	>80	≤5 sdc
WALL AND CEILING LED 24 W 4000 K IP44	Electronic control gear (ECG)	24.00 W	220...240 V	50/60 Hz	>0.5	4000 K	1920 lm	Cool White	>80	≤5 sdc
WALL AND CEILING LED 24 W 4000 K IP44 SENSOR	Electronic control gear (ECG)	24.00 W	220...240 V	50/60 Hz	>0.5	4000 K	1920 lm	Cool White	>80	≤5 sdc

Product description	Light technical data	Dimensions & weight		Colors & materials		Temperatures & operating conditions	Lifespan		
	Beam angle	Diameter	Height	Body material	Product color	Ambient temperature range	Lifespan L70 at 25 °C	Lifespan L80 at 25 °C	Lifespan L90 at 25 °C
WALL AND CEILING LED 18 W 3000 K IP44	120 °	350.0 mm	115.0 mm	Steel	White	-20...40 °C	50000 h	30000 h	15000 h
WALL AND CEILING LED 18 W 4000 K IP44	120 °	350.0 mm	115.0 mm	Steel	White	-20...40 °C	50000 h	30000 h	15000 h

Product description	Light technical data	Dimensions & weight		Colors & materials		Temperatures & operating conditions	Lifespan		
	Beam angle	Diameter	Height	Body material	Product color	Ambient temperature range	Lifespan L70 at 25 °C	Lifespan L80 at 25 °C	Lifespan L90 at 25 °C
WALL AND CEILING LED 24 W 3000 K IP44	120 °	400.0 mm	120.0 mm	Steel	White	-20...40 °C	50000 h	30000 h	15000 h
WALL AND CEILING LED 24 W 3000 K IP44 SENSOR	120 °	400.0 mm	120.0 mm	Steel	White	-20...40 °C	50000 h	30000 h	15000 h
WALL AND CEILING LED 24 W 4000 K IP44	120 °	400.0 mm	120.0 mm	Steel	White	-20...40 °C	50000 h	30000 h	15000 h
WALL AND CEILING LED 24 W 4000 K IP44 SENSOR	120 °	400.0 mm	120.0 mm	Steel	White	-20...40 °C	50000 h	30000 h	15000 h

Product description	Number of switching cycles	Capabilities		Certificates & standards	
		Dimmable	Type of connection	Protection class	Type of protection
WALL AND CEILING LED 18 W 3000 K IP44	25000	No	Terminal, 3-pin	I	IP44
WALL AND CEILING LED 18 W 4000 K IP44	25000	No	Terminal, 3-pin	I	IP44
WALL AND CEILING LED 24 W 3000 K IP44	25000	No	Terminal, 3-pin	I	IP44
WALL AND CEILING LED 24 W 3000 K IP44 SENSOR	25000	No	Terminal, 3-pin	I	IP44
WALL AND CEILING LED 24 W 4000 K IP44	25000	No	Terminal, 3-pin	I	IP44
WALL AND CEILING LED 24 W 4000 K IP44 SENSOR	25000	No	Terminal, 3-pin	I	IP44

Product description	Standards
WALL AND CEILING LED 18 W 3000 K IP44	CE/CB/TÜV SÜD/EAC/ROHS
WALL AND CEILING LED 18 W 4000 K IP44	CE/CB/TÜV SÜD/EAC/ROHS
WALL AND CEILING LED 24 W 3000 K IP44	CE/CB/TÜV SÜD/EAC/ROHS
WALL AND CEILING LED 24 W 3000 K IP44 SENSOR	CE/CB/TÜV SÜD/EAC/ROHS
WALL AND CEILING LED 24 W 4000 K IP44	CE/CB/TÜV SÜD/EAC/ROHS
WALL AND CEILING LED 24 W 4000 K IP44 SENSOR	CE/CB/TÜV SÜD/EAC/ROHS

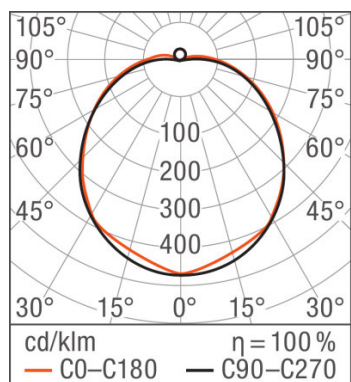


WALL AND CEILING LED 18 W 3000 K
IP44, WALL AND CEILING LED 18 W
4000 K IP44

WALL AND CEILING LED 24 W 3000 K
IP44, WALL AND CEILING LED 24 W
3000 K IP44 SENSOR, WALL AND
CEILING LED 24 W 4000 K IP44, WALL
AND CEILING LED 24 W 4000 K IP44
SENSOR

WALL AND CEILING LED 18 W 4000 K
IP44

WALL AND CEILING LED 24 W 4000 K
IP44



WALL AND CEILING LED 24 W 4000 K
IP44 SENSOR

APPLICATION ADVICE

For more detailed application information and graphics please see product datasheet.

LOGISTICAL DATA

Product code	Product description	Packaging unit (Pieces/Unit)	Dimensions (length x width x height)	Volume	Gross weight
4058075000742	WALL AND CEILING LED 18 W 3000 K IP44	Shipping carton box 5	625 mm x 410 mm x 410 mm	105.06 dm ³	5200.00 g
4058075000766	WALL AND CEILING LED 18 W 4000 K IP44	Shipping carton box 5	625 mm x 410 mm x 410 mm	105.06 dm ³	5862.00 g
4058075000780	WALL AND CEILING LED 24 W 3000 K IP44	Shipping carton box 5	700 mm x 450 mm x 460 mm	144.90 dm ³	6756.00 g
4058075000827	WALL AND CEILING LED 24 W 3000 K IP44 SENSOR	Shipping carton box 5	700 mm x 450 mm x 460 mm	144.90 dm ³	6976.00 g
4058075000803	WALL AND CEILING LED 24 W 4000 K IP44	Shipping carton box 5	700 mm x 450 mm x 460 mm	144.90 dm ³	6927.00 g
4058075000841	WALL AND CEILING LED 24 W 4000 K IP44 SENSOR	Shipping carton box 5	700 mm x 450 mm x 460 mm	144.90 dm ³	6927.00 g

The mentioned product code describes the smallest quantity unit which can be ordered. One shipping unit can contain one or more single products. When placing an order, for the quantity please enter single or multiples of a shipping unit.

REFERENCES / LINKS

For Guarantee see

- ▶ www.ledvance.com/guarantee

DISCLAIMER

Subject to change without notice. Errors and omission excepted. Always make sure to use the most recent release.